
Owner's Manual

Solid Element Cooktop *2 Burner*

<i>Model</i>	<i>CH10A</i>	<i>(White)</i>
	<i>CH11A</i>	<i>(Stainless Steel)</i>
	<i>CH12A</i>	<i>(Black)</i>

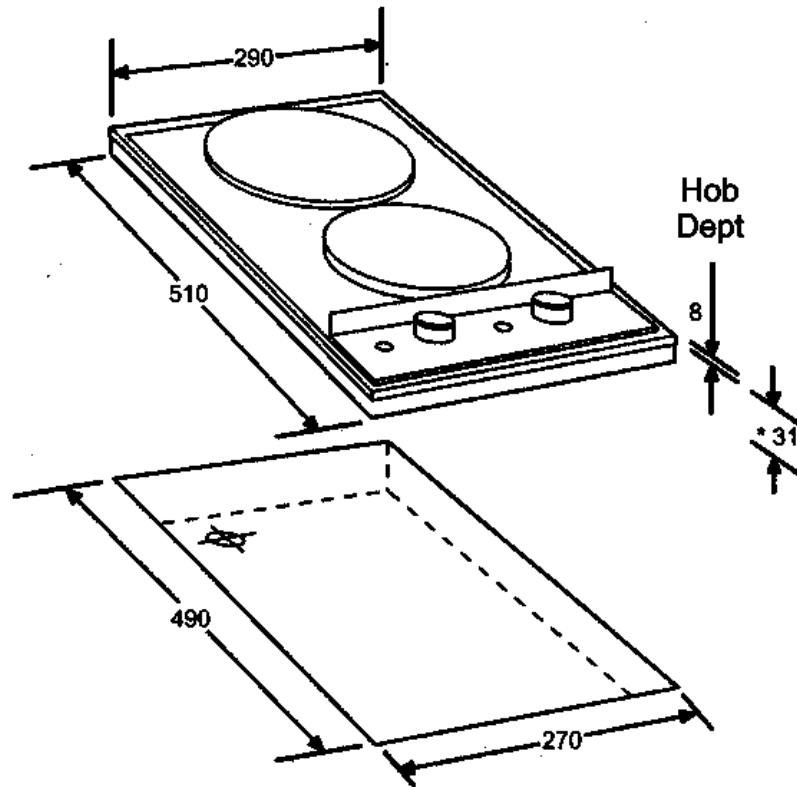
 **KLEENMAID**
THE WORLD'S BEST

TABLE OF CONTENTS

Welcome to Kleenmaid and the superior cooking efficiency of Scala Cooktops

<i>Appliance & Cut-Out Dimensions</i>	<i>3</i>
<i>Installation Procedure and Positioning</i>	<i>4-5</i>
<i>Cleaning</i>	<i>6</i>
<i>Operating the Hotplates</i>	<i>7</i>
<i>In - Home Demonstration</i>	<i>8</i>
<i>Operating Instruction</i>	<i>8</i>
<i>Operating With Hotplates</i>	<i>9</i>
<i>Electrical Wiring Diagram</i>	<i>10</i>
<i>Safety Warning</i>	<i>11</i>
<i>Five Year Warranty Details</i>	<i>11</i>
<i>Service Details</i>	<i>11</i>
<i>Electrical Connection</i>	<i>Back Page</i>

APPLIANCE AND CUT OUT DIMENSIONS



Kleenmaid's continuing commitment to quality products may mean a change in a specification without notice. Please contact 1 800 062 144 before commencing cabinet construction.

INSTALLATION PROCEDURE

**IMPORTANT:
THE APPLIANCE MUST BE INSTALLED BY A QUALIFIED
ELECTRICIAN AND MUST BE PROPERLY EARTHED.**

For your own personal safety it is essential that the installation is carried out by a qualified electrician. The appliance must be installed in accordance with the Safety (Installation and Use) Regulations.

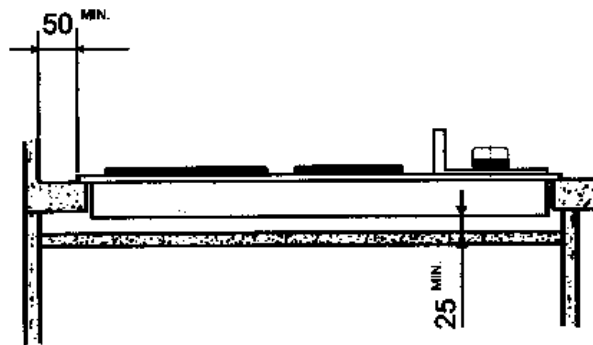
POSITIONING

Failure to install the appliance correctly could invalidate the warranty and could lead to extreme danger.

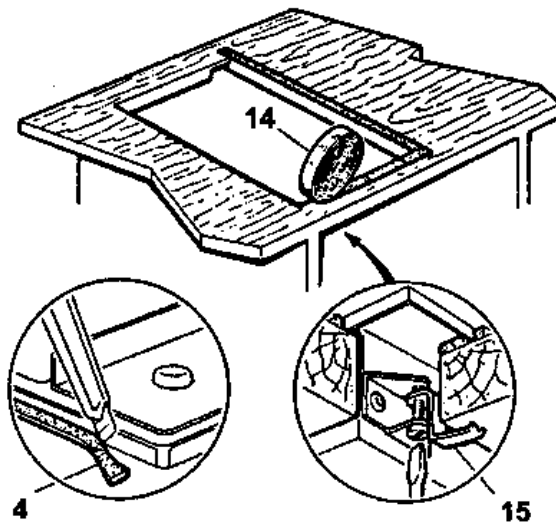
Before deciding on where to position your hob you should bear in mind the following points:

The hob should be positioned in such a way that any combustible material (such as kitchen cupboards) should be at least 500mm above the top of the hotplate.

- ***The room should have good light and be well ventilated.***
- ***The hob should be positioned at least 100mm away from the side cabinets.***
- ***The rear wall should be covered with non-combustible material (tiles are ideal).***
- ***Take care not to store combustible materials or flammable liquids below the hob.***



When installing cooktop above a cupboard, a dividing shelf as pictured above must be installed. If installing above an underbench oven this is not required.



Spread the putty band (14). Adjust the cut-out and fit the hob. Screw tight four claw hooks (15), adapting them to suit the different thickness of the top. Remove the excess putty with a sharp knife (4)

Kleenmaid's continuing commitment to quality products may mean a change in a specification without notice. Please contact 1 800 062 144 before commencing cabinet construction.

CLEANING

The appliance has been finished in tough, hard-wearing enamel or stainless steel. This provides an attractive, durable and easy to clean surface.

The recessed spillage area has been designed to catch minor liquid or cooking spills and has been constructed for easy wiping.

CARE AND MAINTENANCE OF SOLID HOTPLATE ELEMENTS

Before using for the first time. It is important to preheat on high for 3 to 4 minutes without a pot. A small amount of smoke is normal and not harmful.

Ensure cookware bases are flat and dry. After cleaning and drying, apply a thin coat of salt-free oil with a paper cloth or proprietary dressing compound such as Collo 'Electrol' or 'Shine-On Hotplate Protector' according to instructions, or weekly. For best results it is important to use good quality, flat bottomed saucepans and cookware, which cover the hotplate completely.

IMPORTANT: *Do not allow lemon juice, tomato juice or salt to remain on the hotplates. This practice will damage the surface.*

OPERATING THE HOTPLATES

When cooking in large pans, it is essential to maintain a minimum distance of 50 mm between the side of the pot and worktop.

Never place a pan on the control panel and make sure of a minimum distance of 15 mm from the control panel.

Use the highest setting for boiling or searing.

Any type of pan is suitable for electrical cooking, although thin pan bases will conduct heat to the food

inside more quickly than thicker ones and because heat is not being evenly distributed there is a danger that food may be overheated in places.

Therefore, when using a thin saucepan, stir the food more often.

Thicker saucepans lessen the risk of food overheating in places, as better distribution of heat is possible. It is advisable not to use saucepans which are too small.

Also, wide, flat pans are more suitable than narrow, tall ones, since they heat up more quickly.

Cooking in a covered pot is much more efficient.



FREE IN-HOME DEMONSTRATION

Please contact our Customer Call Centre on 1 800 072 144 to arrange for your **FREE In-Home Demonstration**.

Our trained Demonstrator will make an appointment to visit you in your home and explain how to confidently use and care for your cooktop.

Please note that we may not have a Kleenmaid Demonstrator in some regional areas. In this case we will organise a step-by-step telephone demonstration to ensure you are able to achieve the best results from your cooktop.

OPERATING INSTRUCTION

CHOOSING THE RIGHT UTENSILS

- Always use pans with a thick bottom. Uneven pots and pans or those with a thin distorted base reduce the efficiency of the burners, prolonging cooking time.
- Ensure that the base of any pans are dry before use.
- **DO NOT** under any circumstances use aluminium foil or plastic containers on the hob.

SAFETY FIRST - WARNING

This hotplate has been designed to be as safe as possible to use. Keep all saucepan handles turned to a safe position so that they are out of the reach of children and cannot be knocked accidentally as you walk past.

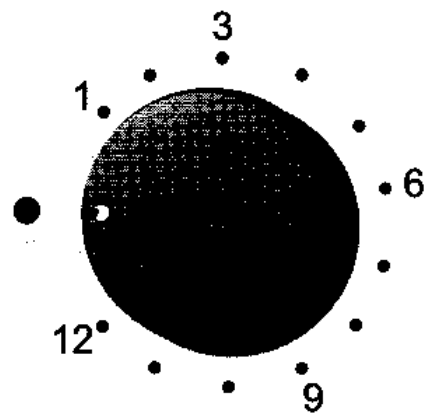
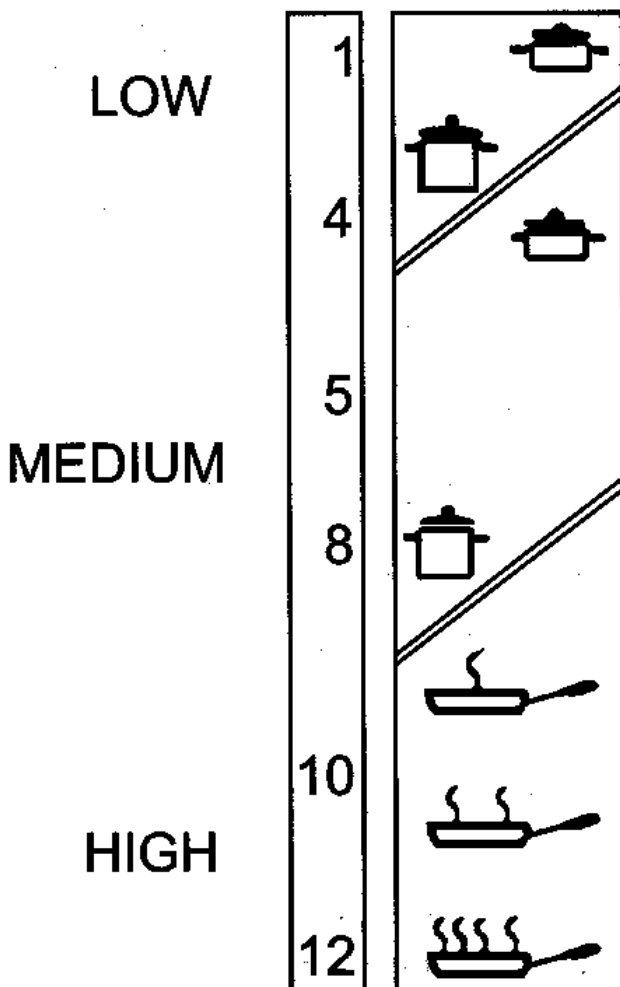
OPERATING WITH HOTPLATES

IMPORTANT:

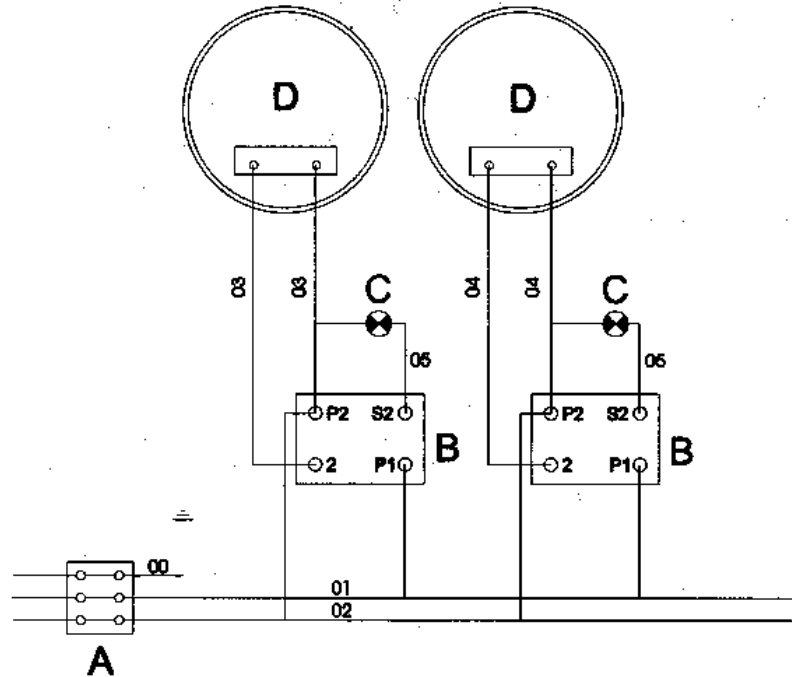
Before using the hob for the first time, we suggest to switch on the hot plate for 3 min. at the max. power (pos. 12)

HOT PLATES: To switch on the hot plates turn the knob.
(min. = pos. 1 - max. = pos. 12).

Use position 12 to bring contents of saucepan to boiling, once this has been achieved reduce the heat setting to 9 or 10. This will conserve energy and prevent unnecessary heat being transferred to the cooking hob.



ELECTRICAL WIRING DIAGRAM



A = Terminal block
B = Energy regulator
C = Signal lamp
D = Hot plate

00 = Yellow - Green
01 = Brown
02 = Blue
03 = Red
04 = Black

NOTE: THIS COOKTOP MUST BE INSTALLED TO THE MAINS WITH THE HEAT PROTECTED CABLE IT IS SUPPLIED WITH.

FIVE YEAR WARRANTY

Domestic Warranty - Full Five Year Warranty

In addition to all statutory rights which you, the Consumer, have under all the relevant laws in respect of this appliance, during the first five years ownership as the purchaser of the Kleenmaid appliance, we guarantee that any fault caused by faulty material or workmanship becoming apparent, will be rectified free of charge for parts and labour, provided that all service is performed during normal working hours by Kleenmaid or their designated Agents. Where the appliance is installed outside the normal servicing area of the above, the Purchaser must pay the cost of transporting the appliance to and from the Agent or the Agent's travelling cost to and from the Purchaser's home.

Commercial Warranty - One Year Warranty

When this appliance is installed in a commercial application, you, the Consumer, have under all the relevant laws in respect of this appliance, during your first one year of ownership as the purchaser of the Kleenmaid appliance, we guarantee that any fault caused by faulty material or workmanship becoming apparent, will be rectified free of charge for parts or labour, provided that all service is performed during normal working hours by Kleenmaid or their designated Agents. Where the appliance is installed outside the normal servicing area of the above, the Purchaser must pay the cost of transporting the appliance to and from the Agent or the Agent's travelling cost to and from the Purchaser's home.

What This Warranty Does Not Cover

We are not responsible for any damage or malfunction unless caused by a defect in material or workmanship. This includes, but is not limited to abuse, misuse, improper installation and transportation damage. We are not responsible for any consequential damages resulting from any malfunction.

"Warranty Does Not Cover Replacement Of Light Globes or Glass

Breakage Due To Impact"

In case of fractured glass do not use your appliance

Please complete the enclosed warranty card and post it to us.

Service

To assist you when calling our Customer Call Centre number to arrange a service call, please complete the following and have these details ready when you call.

Model No. _____

Kleenmaids store purchased from _____

Date of purchase / / Date of installation / /

Should you require service, please call our National Call Centre
on 1 800 072 144 (freecall)

ELECTRICAL CONNECTION

Any electrical wiring must be carried out in compliance with the local electricity board regulations by a qualified electrician.

WARNING: ALL APPLIANCE MUST BE EARTHED

Our company cannot accept responsibility for any damage to persons or property arising from faulty connection or non connection to earth.

Before connection or installing the hob electricity supply must be swiched off.

 **KLEENMAID**
THE WORLD'S BEST