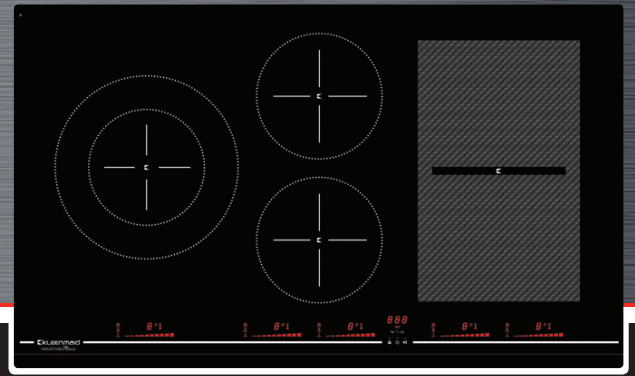
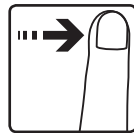
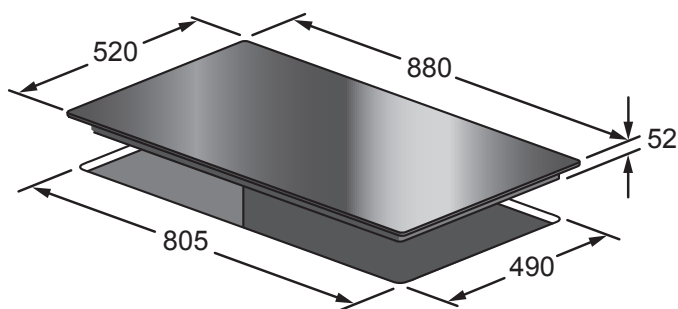


# Induction Cooktop 90cm

Model: ICT9021



- 90cm induction cooktop with quartz grey graphics
- Bevelled shaped edges 22mm x 5mm
- Six elements – all with boost plus
- High power booster – 5.5kW
- Biometric Visual Indicator slider touch controls with 9 heating levels
- Thermal Dynamic Sensing
- Active Zone Indicator
- Five timers and egg timer
- Automatic cooking functions defrosting 42°C, keep warm 70°C, simmering 94°C
- Bridge function on the central and right hand elements – allows simultaneous operation with a single control
- Pause Resume function plus child safety lock
- Auto-Stop in case of accidental start, long absence, overflow, over temperature
- Power adapts automatically to the pot size
- Residual heat indicators
- Easy Access Servicing due to service access from below
- 8 cooking zones
- Voltage Power Guard



Biometric Visual Indicator



Easy Access Servicing



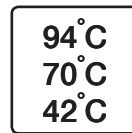
Arsenic Free Glass



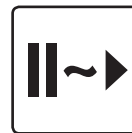
Boost



Voltage Power Guard



Preset Temperatures



Pause/Resume



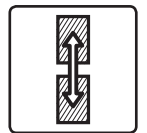
Spill Protection



Automatic Cooking



Residual Heat Indicator



Auto Bridging



8 Zone Induction



Child Safety Lock



Thermal Dynamic Sensing



Active Zone Indicator



Glass Surface Mounted



Glass Flush Mounted



QUALITY ASSURED

To obtain full installation instructions for this appliance go to [kleenmaid.com.au](http://kleenmaid.com.au) and click on User Care Manuals, top right.

Fineline :0015222

J12050\_01

Level 2, 204 Botany Road, Alexandria NSW, 2015  
P: 02 9310 1207 • E: [support@kleenmaid.com.au](mailto:support@kleenmaid.com.au)  
[www.kleenmaid.com.au](http://www.kleenmaid.com.au)

**kleenmaid**  
The best you can own