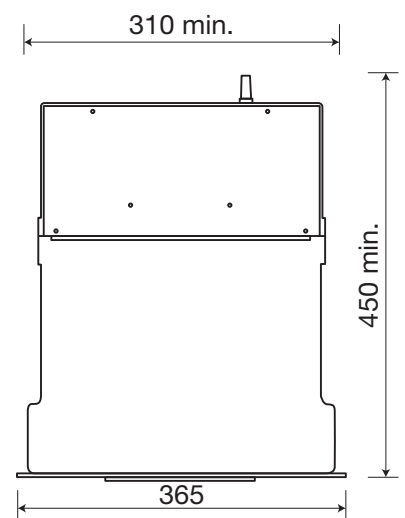
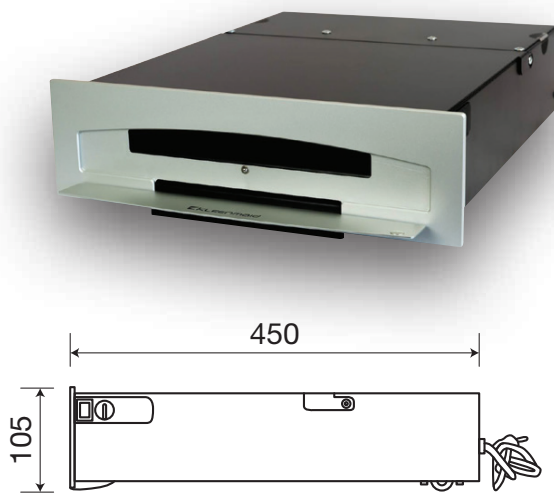


Built in Vacuum Cassette



Model: BIVC3710

- The Kleenmaid Built in Vacuum Cassette is a unique appliance that can be easily installed in any application where there is a need to conveniently remove typical floor and bench waste
- Ideal for laundry, kitchen, workshop or retail areas
- Not suitable where the unit would come in contact with pooling water
- 3 x replacement bags and one HEPA filter \$29 inc gst. Code BIVC3710DB.
- Features HEPA filter technology to improve air quality by removing such things as pollen, dust, pet dander, dust mites etc.



QUALITY ASSURED

To obtain full installation instructions for this appliance go to kleenmaid.com.au and click on User Care Manuals, top right.

Fineline :0015276

J12007_01

Level 2, 204 Botany Road, Alexandria NSW, 2015
P: 02 9310 1207 • E: support@kleenmaid.com.au
www.kleenmaid.com.au

kleenmaid
The best you can own