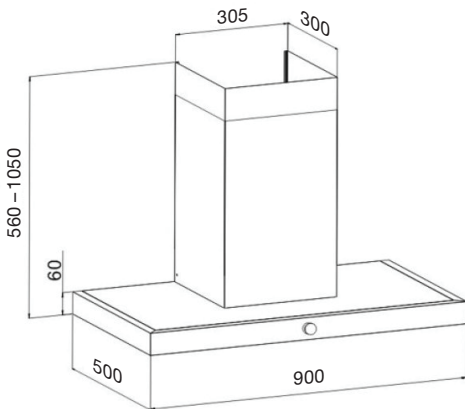


Wall Mounted Rangehood 90cm



Model: RH5CK91

- Stainless steel and Black Krystal glass construction
- 90cm wall-mounted rangehood
- Black glass control panel with illuminated control knob
- High Performance 900m³/h
- Noise 57dbA
- 3 extraction speeds
- Stainless steel baffle filters
- Two 1.5w LED lamps
- Optional carbon filters available for recirculating installation



To obtain full installation instructions for this appliance go to kleenmaid.com.au and click on User Care Manuals, top right.

Fineline :0190879

J12081_02

Level 2, 204 Botany Road, Alexandria NSW, 2015
P: 02 9310 1207 • E: support@kleenmaid.com.au
www.kleenmaid.com.au

kleenmaid
The best you can own